


Oct 21, 2020 18:56

## Wizyconf-Mic Installation Guide

 This guide explains how to install Wizyconf-Mic - table and ceiling installation

Created: September 2019

Permalink: <https://confluence.wildix.com/x/zAJKAw>

- [Packing List](#)
- [Connection](#)
  - [Wizyconf-Array Overview](#)
  - [Wizyconf-Mic Overview](#)
  - [Wizyconf-Array: port definition](#)
  - [Wizyconf-Mic: port definition](#)
  - [Wizyconf-Array and Wizyconf-Mic Connection Scheme](#)
- [Wizyconf-Mic Installation](#)
  - [Desk Installation](#)
  - [Ceiling Installation](#)

For more details about how to connect all the components of the Wizyconf to the Wizyconf-Core, consult the page [Wizyconf Conference Room - Documentation](#).

## Packing List

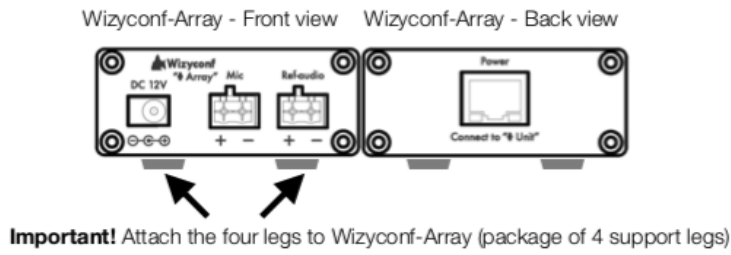
The following components of the Wizyconf box refer to the Wizyconf-Mic and Wizyconf-Array:

- 2 x microphone ball
- 1 x Wizyconf-Array box
- 2 x mount bracket
- 2 x ceiling mount cable protection
- 2 x Wizyconf-Mic box
- 1 x power supply with US, UK, EU plugs
- 2 x audio control cable
- 2 x rigid cable (50cm)
- 2 x rigid cable (20cm)
- 2 x soft cable (53cm)
- 2 x 4 screws for mounting
- 1 x package of 4 support legs for Wizyconf-Array
- 1 x package of 8 support legs for Wizyconf-Mics

## Connection

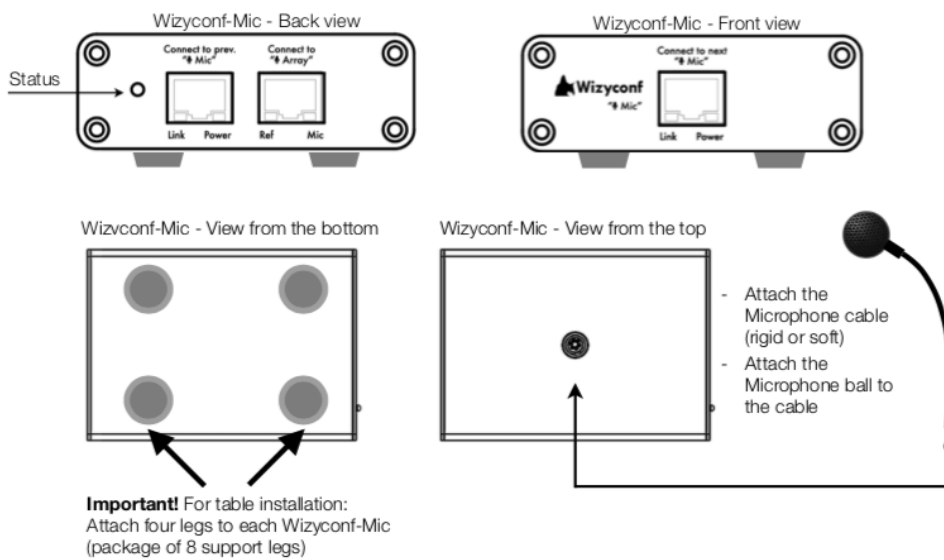
### Wizyconf-Array Overview

**Important:** attach the four legs at the bottom of Wizyconf-Array (package of 4 support legs).



### Wizyconf-Mic Overview

**Important:** for table installation attach four legs at the bottom of each Wizyconf-Mic (package of 8 support legs).



### Wizyconf-Array: port definition

Port Name	Description
DC 12V	Connect to the power supply.
Mic	Microphone analog connection. Connect to Wizyconf-Core using audio control cable.
Ref-audio	Reference audio analog connection. Connect to Wizyconf-Core using audio control cable.
Connect to " Mic"	Connect to Wizyconf-Mic 1.

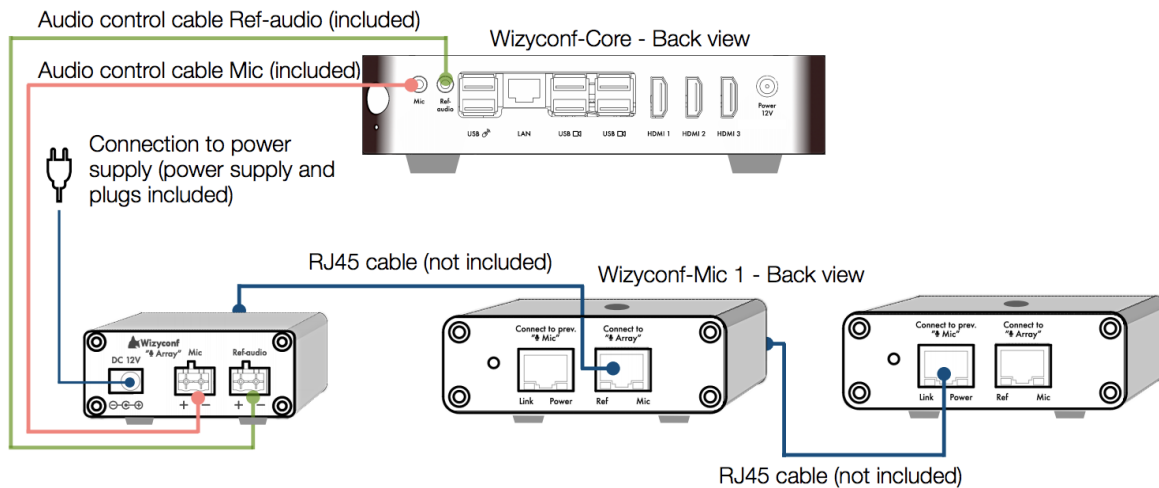
### Wizyconf-Mic: port definition

Port Name	Description
-----------	-------------

Status Indicator	Steady red: system starting.  Steady green: clock synchronization (takes 10-30 seconds).  Flashing green: clock synchronization finished; working status.
Connect to “ Array”	Connect to the Wizyconf-Array.
Connect to next “ Mic”	Wizyconf-Mic 1 only: connect to Wizyconf-Mic 2.
Connect to prev. “ Mic”	Wizyconf-Mic 2 only: connect to Wizyconf-Mic 1.

### Wizyconf-Array and Wizyconf-Mic Connection Scheme

- Connect the Wizyconf-Array to the ports "Mic" and "Ref-audio" of the Wizyconf-Core using the Audio control cables (included)
- Connect the Wizyconf-Array to the power supply
- Connect the Wizyconf-Array to the first Wizyconf-Mic as shown on the scheme below, and the first Wizyconf-Mic to the second Wizyconf-Mic using RJ-45 cables (not included):



## Wizyconf-Mic Installation

### Desk Installation

For installation on a table:

- Make sure you have attached four support legs at the bottom of each Wizyconf-Mic
- Attach the rigid cables to the Wizyconf-Mics and the microphone balls
- You can bend the microphone cable so that the top of microphone ball is located closer to the people who speak

### Ceiling Installation

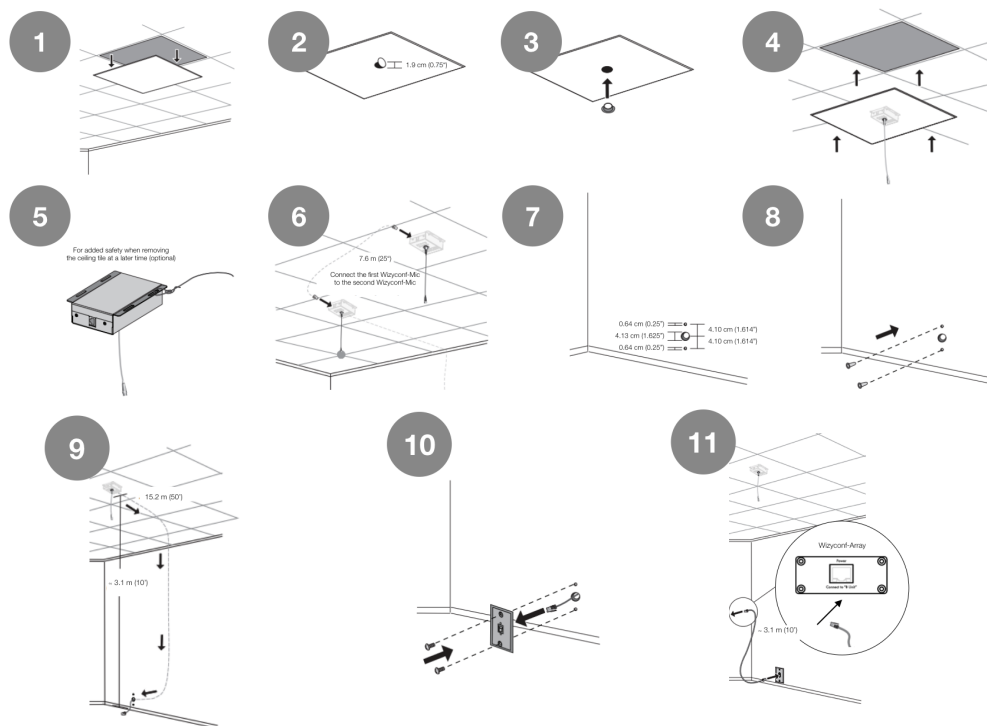
For ceiling installation:

- Attach the soft cables to the Wizyconf-Mics and the microphone balls

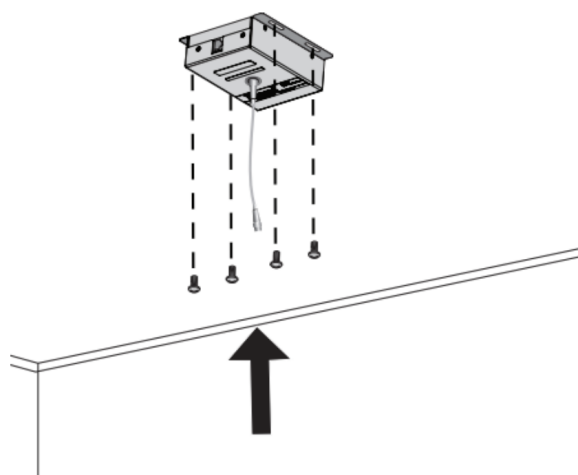
- It is recommended to use the provided mount cable protection (to protect the cable when installing the microphone in the ceiling)
- Make sure the ceiling can support the weight of the Wizyconf-Mic (one unit = 0.3 kg)
- The length of one soft cable is 53cm. If your ceiling is higher than 3.05m, it is recommended to install the microphones on the table

### Suspended ceilings

Follow the instructions:



### For ceilings that are not suspended:



**⚠ Note:** the recommended distance between the two microphones is from 5.5 m to 7.6 m (18"-25").